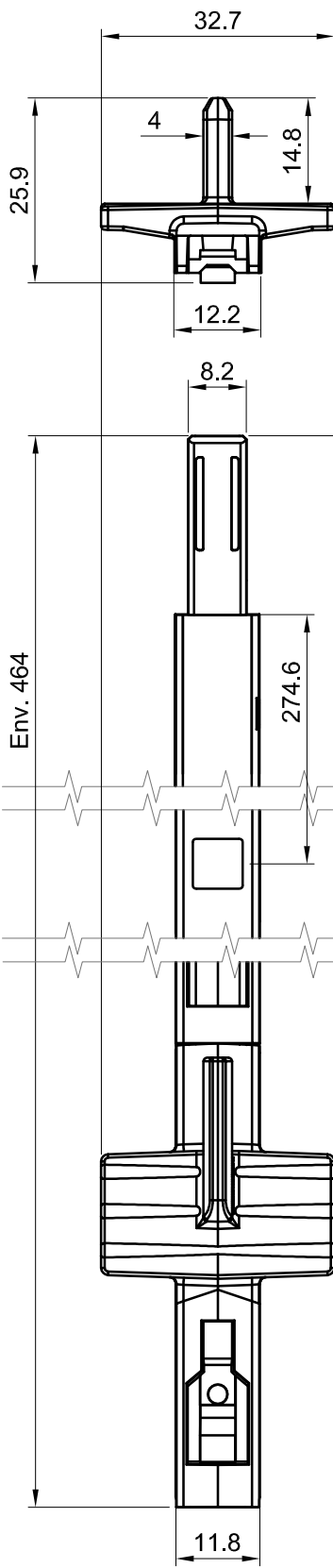
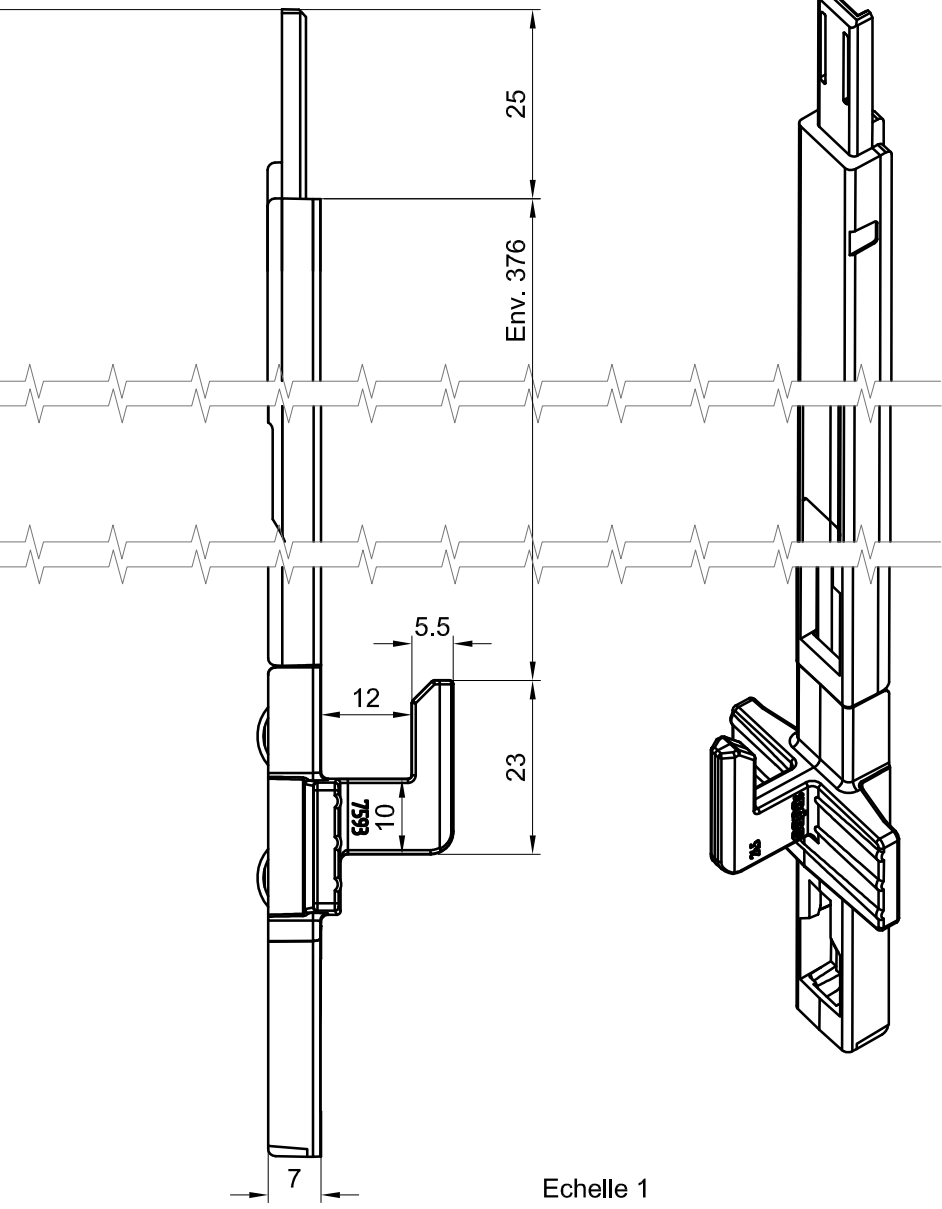


All rights strictly reserved. Reproduction or issue to third parties in any form whatsoever is not permitted without the written authorization from Sapa Building System



Revisions :

Rev.	Description	Date	Drawn	Dossier



Material : Various	Hardness :	Tolerances :	Marking : M	Bill of Material :																					
Supplier : SOTRALU	Reference Supplier : SBSFL0100	Application entity : .	Specifications : Tringle basse 1 point à glisser H500 VERSUS FLEXIS	<table border="1"> <thead> <tr> <th>Item</th> <th>Reference</th> <th>Qty</th> </tr> </thead> <tbody> <tr><td>1</td><td> </td><td> </td></tr> <tr><td>2</td><td> </td><td> </td></tr> <tr><td>3</td><td> </td><td> </td></tr> <tr><td>4</td><td> </td><td> </td></tr> <tr><td>5</td><td> </td><td> </td></tr> <tr><td>6</td><td> </td><td> </td></tr> </tbody> </table>	Item	Reference	Qty	1			2			3			4			5			6		
Item	Reference	Qty																							
1																									
2																									
3																									
4																									
5																									
6																									

ACCESSORY- TOEBEHOREN - ACCESSOIRE - ZUBEHOR

	Designation :	Sluitlat Tringle Schubstange Sliding rod	Drawing Category : Accessory	Drawing Status : To be Checked
	Replaced by :	Replaces :	Reference Number : A26653	Rev : B
Drawn : FSG	Checked :	Date : 05/02/2013	Scale : 1	Serie : P70CLI
Dossier : ETU673		ID-Ref. :	Paper : A4	